

# BOYA

## 2.4GHz Dual-channel Wireless Microphone System

2.4GHz双通道无线麦克风系统

BY-M1V1

BY-M1V2

BY-M1V3

BY-M1V4

BY-M1V5

BY-M1V6

User Manual  
用户手册



# General Introduction

The BOYA BY-M1V is an incredibly lightweight, ultracompact and easy-to-use 2.4GHz wireless microphone system for up to 2 people. This mic series has RX/ RXD/ RXU port of kits to choose from, delivering exceptional-quality sound to smartphones, tablets, DSLR cameras and camcorders. It provides a great solution for live streaming, content creation, mobile journalism and more.

## Available Kits

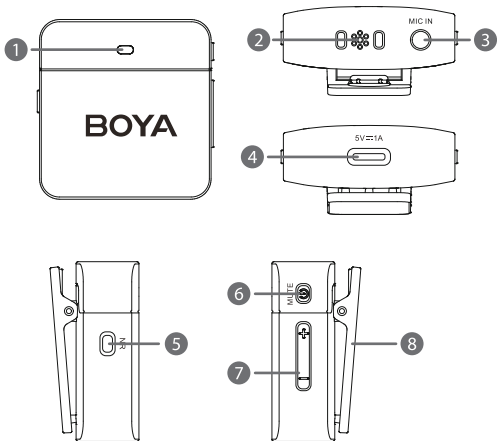
Model	In the box
BY-M1V1	1 × BY-M1V-TX 1 × BY-M1V-RX
BY-M1V2	2 × BY-M1V-TX 1 × BY-M1V-RX
BY-M1V3	1 × BY-M1V-TX 1 × BY-M1V-RXU
BY-M1V4	2 × BY-M1V-TX 1 × BY-M1V-RXU
BY-M1V5	1 × BY-M1V-TX 1 × BY-M1V-RXD
BY-M1V6	2 × BY-M1V-TX 1 × BY-M1V-RXD

## Features

- Ultracompact and portable
- Up to 60m wireless operation range
- Easy-to-use clip-on TX transmitter/ RX receiver
- Compatible with smartphones, tablets, cameras, camcorders, etc
- Built-in mic for high-quality sound
- Ideal for 2-person interviews, podcasts & live streaming
- Selectable mono/stereo output

# Product Structure

## BY-M1V-TX: Clip-on Transmitter with Built-in Microphone



## 1. Status indicator

Status	Indicator
Unpaired	Blinks blue slowly (per second)
Pairing	Quickly blinks blue 3 times
Paired Successfully	Solid blue light
Mute ON	Blinks red slowly (per second)
Noise Cancellation ON	Solid green light
Maximum/Minimum Gain	Quickly blinks blue twice
Low Battery	Blinks red quickly
Charging	Solid red light
Fully Charged	Solid blue light



**Note:** If the microphone is muted when battery is low or charging, the indicator will display the current working status (Mute ON) instead of the battery level.

### 2. Built-in microphone

### 3. 3.5mm mic in jack

It can be connected to a 3.5mm TRS lavalier microphone.

### 4. USB-C charging port

Use the included USB-C charging cable to charge the unit.

## 5. Noise cancellation button

Short press to turn on/off noise cancellation.

## 6. Power/Mute/Pair button

Function	Operation
Power ON/OFF	Press and hold for 2 seconds
Mute ON/OFF	Short press
Pairing	Double-click when not paired

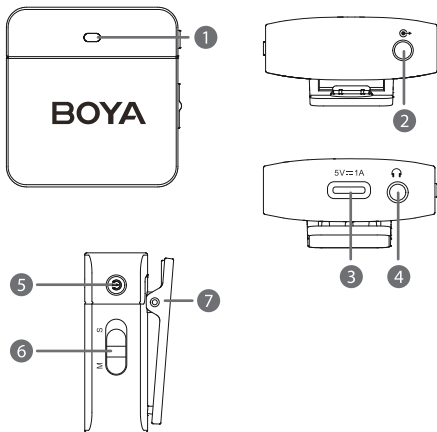
## 7. Gain control (+-button)

Press the +/- button to adjust mic gain (totally 7 levels).

If the maximum/minimum level is reached, the indicator will quickly blink blue twice.

## 8. Belt clip

## BY-M1V-RX: Camera-mountable Clip-on Receiver



## 1. Status indicator

Status	Indicator
Unpaired	Blinks blue slowly (per second)
Pairing	Quickly blinks blue 3 times
Paired Successfully	Solid blue light
Low battery	Blinks red quickly
Charging	Solid red light
Fully charged	Solid blue light

## 2. 3.5mm TRS line output

Connect the BY-M1V-RX to a smartphone, tablet, camera, recorder or mixer with the included output cables.

## 3. USB-C charging port

Use the included USB-C charging cable to charge the unit.

## 4. 3.5mm headphone output

Connect headphones for audio monitoring.

## 5. Power/ Pair button

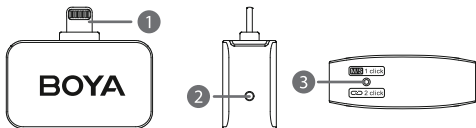
Function	Operation
Power ON/OFF	Press and hold for 2 seconds
Pairing	Double-click when not paired

## 6. Mono/ Stereo switch

The output mode can be toggled between mono and stereo. When in mono mode, the audio from the left and right channel will be mixed. When in stereo mode, the audio from the left and right channel will be separated to the left and right of the stereo output.

## 7. Belt clip

## BY-M1V-RXD: Compact Receiver with MFi Certified Lightning Connector



### 1. Lightning connector

It can be connected to an iOS Lightning device.

### 2. Status indicator

Status	Indicator
Unpaired	Blinks blue slowly (per second)
Pairing	Quickly blinks blue 3 times
Paired Successfully (Mono)	Solid blue light
Paired Successfully (Stereo)	Blinks blue slowly (every 5 seconds)

### 3. Pair & M/S pinhole

Use the included pin to click:

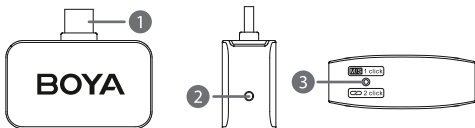
One click: switching between Mono and Stereo output mode.

When in mono mode, the audio from the transmitter, or transmitters will be mixed to both the left and right sides. When in stereo mode, the two transmitters' audio output will be separated to the left and right sides.

Double click: enable pairing mode.



## BY-M1V-RXU: Compact Receiver with USB-C Connector



### 1. USB-C connector

It can be connected to an Android Smartphone, Tablet, Computers or other USB-C devices.

### 2. Status indicator

Status	Indicator
Unpaired	Blinks blue slowly (per second)
Pairing	Quickly blinks blue 3 times
Paired Successfully (Mono)	Solid blue light
Paired Successfully (Stereo)	Blinks blue slowly (every 5 seconds)

### 3. Pair & M/S pinhole

Use the included pin to click:

One click: switching between Mono and Stereo output mode.

When in mono mode, the audio from the transmitter, or transmitters will be mixed to both the left and right sides. When in stereo mode, the two transmitters' audio output will be separated to the left and right sides.

Double click: enable pairing mode.

# Operation Guide

## For the BY-M1V1/ BY-M1V2 Kit

**1. Press and hold the power button for 2 seconds to turn on the transmitter and the receiver.**

### **2. Pairing**

Before leaving factory, the system is pre-paired. Therefore, the connection will be established once they are powered on. If they are disconnected, please follow the steps below:

① Double-click the power button of transmitter and receiver to enter the pairing mode. The indicators of both quickly blink blue 3 times.

② Transmitter and receiver will be successfully paired within 5 seconds. The indicators of both will turn solid blue.

③ Repeat the above steps to pair another transmitter with the receiver.

**3. Connect the receiver to the mic input of a camera, recorder or mixer with the included 3.5mm TRS to TRS cable; or connect it to a smartphone, tablet, or computer with the included 3.5mm TRS to TRRS cable.**

**4. You are ready to record.**

## For the BY-M1V3/ BY-M1V4/ BY-M1V5/ BY-M1V6 Kit

1. Press and hold the power button for 2 seconds to turn on the transmitter.

2. Plug the BY-M1V-RXD into an iOS Lightning device or the BY-M1V-RXU into a USB-C device.

### 3. Pairing

Before leaving factory, the system is pre-paired. Therefore, the connection will be established once they are powered on. If they are disconnected, please follow the steps below:

① Double-click the power button of transmitter. The indicator quickly blinks blue 3 times.

② Then, insert the included pairing pin into the small pinhole on the receiver and double click the button. The indicator of receiver quickly blinks blue 3 times.

③ Transmitter and receiver will be paired within 5 seconds. After successfully paired, the indicator of transmitter will turn solid blue.

④ Repeat the above steps to pair another transmitter with the receiver.

4. You are ready to record.



**Note:** Due to the 2.4GHz wireless frequency is widely used, the signal may be easily attenuated or interfered. Please try to avoid obstacles while using, such as walls and buildings. And keep away from the devices with 2.4GHz frequency, such as high-power Wi-Fi antennas, radios, etc.

# Specifications

## BY-M1V-TX

Transmission Type	2.4GHz ISM
Modulation	GFSK
Operating Range	>60m (without obstacles)
RF Output Power	<10mW
Audio Input	3.5mm Jack or Built-in Omnidirectional Mic
Frequency Response	50Hz-20kHz
Signal-to-Noise Ratio	> 75dB
Maximum SPL	Built-in Microphone: 120dB SPL
Sensitivity	Built-in Microphone: -39dB±2dB (0dB=1V/Pa@1kHz)
Noise Cancellation	Yes
Power Requirement	Built-in Li-ion Battery or USB-C DC 5V
Antenna	PIFA Antenna
Battery Life	Approx. 6 hours
Weight	18g
Dimensions	40.2×39.4×18.6mm
Operating Temperature	0°C to 50°C
Storage Temperature	-20°C to 55°C

## BY-M1V-RX

Transmission Type	2.4GHz ISM
Modulation	GFSK
Operating Range	> 60m (without obstacles)
RF Output Power	<10mW
Audio Output	3.5 mm Headphone Output Jack 3.5 mm TRS Line Output Jack
Power Requirement	Built-in Li-ion Battery or USB-C DC 5V
Antenna	PIFA Antenna
Built-in Battery Life	Approx. 6 hours
Weight	18g
Dimensions	40.2×39.8×18.6mm
Operating Temperature	0°C to 50°C
Storage Temperature	-20°C to 55°C

## BY-M1V-RXD

Transmission Type	2.4GHz ISM
Modulation	GFSK
Operating Range	>60m (without obstacles)
Audio Output	MFi Certified Lightning Connector
Power Requirement	Supplied by iOS Devices
Antenna	PIFA Antenna
Weight	10g
Dimensions	23.5×38×11.9mm
Operating Temperature	0°C to 50°C
Storage Temperature	-20°C to 55°C

## BY-M1V-RXU

Transmission Type	2.4GHz ISM
Modulation	GFSK
Operating Range	>60m (without obstacles)
Audio Output	USB-C Connector
Power Requirement	Supplied by USB-C Devices
Antenna	PIFA Antenna
Weight	10g
Dimensions	23.5×38×11.9mm
Operating Temperature	0°C to 50°C
Storage Temperature	-20°C to 55°C

## Packing List

### BY-M1V1

- 1× BY-M1V-TX Transmitter
- 1× BY-M1V-RX Receiver
- 1× 3.5mm TRS to TRS Output Cable for Cameras
- 1× 3.5mm TRS to TRRS Output Cable for Smartphones
- 2× USB-C Charging Cable
- 1× Fur Windshield

### BY-M1V2

- 2× BY-M1V-TX Transmitter
- 1× BY-M1V-RX Receiver
- 1× 3.5mm TRS to TRS Output Cable for Cameras
- 1× 3.5mm TRS to TRRS Output Cable for Smartphones
- 3× USB-C Charging Cable
- 2× Fur Windshield

**BY-M1V3**

- 1 × BY-M1V-TX Transmitter
- 1 × BY-M1V-RXU Receiver
- 1 × USB-C Charging Cable
- 1 × Fur Windshield
- 1 × Pairing Pin

**BY-M1V4**

- 2 × BY-M1V-TX Transmitter
- 1 × BY-M1V-RXU Receiver
- 2 × USB-C Charging Cable
- 2 × Fur Windshield
- 1 × Pairing Pin

**BY-M1V5**

- 1 × BY-M1V-TX Transmitter
- 1 × BY-M1V-RXD Receiver
- 1 × USB-C Charging Cable
- 1 × Fur Windshield
- 1 × Pairing Pin

**BY-M1V6**

- 2 × BY-M1V-TX Transmitter
- 1 × BY-M1V-RXD Receiver
- 2 × USB-C Charging Cable
- 2 × Fur Windshield
- 1 × Pairing Pin

## 概述

博雅BY-M1V是一款轻巧便携、易于使用的2.4GHz双通道无线麦克风系统。本系列具有RX/RXD/RXU三种端口套装可供选择，提供出色的高品质音频，适用于智能手机、平板电脑、单反相机和摄像机等设备，是直播、视频内容创作、移动新闻等的理想选择。

## 可选套装组合

型号	套装内容
BY-M1V1	1 × BY-M1V-TX 1 × BY-M1V-RX
BY-M1V2	2 × BY-M1V-TX 1 × BY-M1V-RX
BY-M1V3	1 × BY-M1V-TX 1 × BY-M1V-RXU
BY-M1V4	2 × BY-M1V-TX 1 × BY-M1V-RXU
BY-M1V5	1 × BY-M1V-TX 1 × BY-M1V-RXD
BY-M1V6	2 × BY-M1V-TX 1 × BY-M1V-RXD

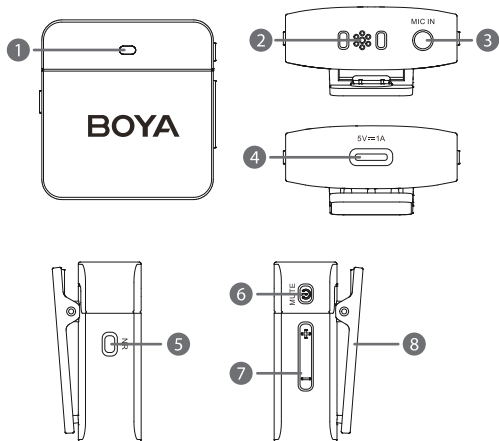
## 特点

- 小巧便携
- 无线操作距离可达60米
- 易于使用的领夹式TX发射器/RX接收器
- 兼容手机、平板电脑、相机和摄像机等
- 内置麦克风传输高品质音频
- 适合两个人进行采访、播客和直播
- 可自由切换单声道/立体声输出模式



## 产品结构

### BY-M1V-TX: 背夹式发射器 (带内置麦克风)



## 1. 状态指示灯

模式	指示灯
未联机	蓝灯慢闪（每秒一次）
对码中	蓝灯快闪三次
联机成功	蓝灯常亮
静音模式	红灯慢闪（每秒一次）
降噪模式开启	绿灯常亮
最大/最小增益	蓝灯快闪两次
低电量	红灯快闪
充电中	红灯常亮
充满电	蓝灯常亮



**注意：**若在低电量/充电状态下开启静音模式，指示灯将优先显示当前工作状态（即静音状态）而非电量状态。

### 2. 内置麦克风

### 3. 3.5mm麦克风输入孔

可接入3.5mm TRS领夹麦克风。

### 4. USB-C充电口

使用随附的USB-C充电线进行充电。

## 5. 降噪功能键

短按可开启/关闭降噪功能。

## 6. 电源/静音/配对键

功能	操作
开/关机	长按按键2秒
开启/取消静音	短按按键
进入配对模式	未联机状态下双击按键

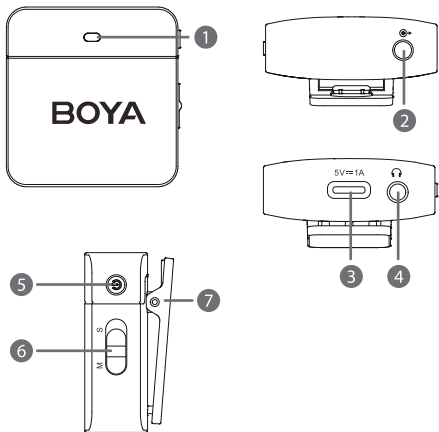
## 7. 音量+/-键

短按+/-键可调节麦克风增益（共7档）。

当麦克风增益调整到最大或最小时，指示灯会呈蓝灯快闪两次。

## 8. 背夹

## BY-M1V-RX: 背夹式接收器 (可安装至相机热靴座)



## 1. 状态指示灯

模式	指示灯
未联机	蓝灯慢闪（每秒一次）
对码中	蓝灯快闪三次
联机成功	蓝灯常亮
低电量	红灯快闪
充电中	红灯常亮
充满电	蓝灯常亮

## 2. 3.5mm TRS线性输出孔

使用随附输出线，将BY-M1V-RX连接至手机、平板电脑、相机、录音笔或混音器等设备。

## 3. USB-C充电口

使用随附的USB-C充电线进行充电。

## 4. 3.5mm耳机监听孔

接入耳机进行音频监听。

## 5. 电源/配对键

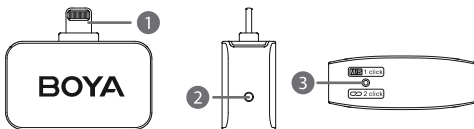
功能	操作
开/关机	长按按键2秒
进入对码状态	未联机状态下双击按键

## 6. 单声道/立体声切换键

输出模式可以设置为单声道或立体声模式。在单声道模式下，左右声道的音频将混合输出。在立体声模式下，左右声道的音频将独立输出。

## 7. 背夹

## BY-M1V-RXD: MFi认证Lightning接收器



### 1. Lightning接口

可接入带Lightning接口的iOS设备。

### 2. 状态指示灯

状态	指示灯
未联机	蓝灯慢闪（每秒一次）
对码中	蓝灯快闪三次
联机成功（单声道模式）	蓝灯常亮
联机成功（立体声模式）	蓝灯慢闪（五秒一次）

### 3. 对码、单声道/立体声切换孔

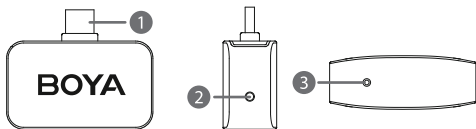
使用随附的顶针进行操作：

单击：切换单声道/立体声输出模式。

设置为单声道模式时，左右声道的音频将混合输出；设置为立体声模式时，左右声道的音频将独立输出。

双击：进入配对模式。

## BY-M1V-RXU: USB-C接收器



### 1. USB-C接口

可接入安卓手机、平板、电脑或其他USB-C设备。

### 2. 状态指示灯

状态	指示灯
未联机	蓝灯慢闪（每秒一次）
对码中	蓝灯快闪三次
联机成功（单声道模式）	蓝灯常亮
联机成功（立体声模式）	蓝灯慢闪（五秒一次）

### 3. 对码、单声道/立体声切换孔

使用随附的顶针进行操作：

单击：切换单声道/立体声输出模式。

设置为单声道模式时，左右声道的音频将混合输出；设置为立体声模式时，左右声道的音频将独立输出

双击：进入配对模式。

# 操作指南

## BY-M1V1/ BY-M1V2套装

1. 长按电源键2秒，依次将发射器、接收器开机。

### 2. 配对

发射器和接收器出厂前已配对成功。因此，产品开机之后会自动联机。若无成功连接，请进行如下配对操作：

①双击发射器和接收器的电源键以进入对码状态，其指示灯均呈蓝灯快闪三次；

②发射器和接收器将在5秒内完成配对。配对成功后，其指示灯均呈蓝灯常亮；

③重复上述步骤，将第二台发射器与接收器配对。

3. 使用随附的3.5mm TRS转TRS音频线将接收器连接至相机、录音笔或混音器等设备；或者使用3.5mm TRS转TRRS音频线将接收器连接至手机、平板电脑等移动设备。

4. 开始录制。



## BY-M1V3/ BY-M1V4/ BY-M1V5/ BY-M1V6套装

1. 长按电源键2秒，打开发射器。
2. 将BY-M1V-RXD插入iOS Lightning设备或将BY-M1V-RXU插入USB-C设备。
3. 配对。

发射器和接收器出厂前已配对成功。因此，产品开机之后会自动联机。

若无成功连接，请进行如下配对操作：

- ①双击发射器的电源键，指示灯会呈蓝灯快闪三次。
  - ②将对码针插入接收器对码孔内并双击按键，接收器指示灯呈蓝灯快闪三次。
  - ③发射器和接收器将在5秒内配对成功，发射器指示灯呈蓝灯常亮。
4. 开始录制。



注意: 由于在2.4GHz频谱下，信号很容易受干扰，请尽量避开墙壁和建筑物等障碍物，避免接近2.4GHz频率的设备，如大功率Wi-Fi天线、收音机等。

## 参数

### BY-M1V-TX

传输方式	2.4GHz ISM
信号调制	高斯频移键控
操作范围	> 60米 (无障碍)
射频输出功率	<10mW
音频输入源	3.5mm插孔或内置全向麦克风
频率响应	50Hz~20kHz
信噪比	> 75dB
最大声压级	内置麦克风: 120dB SPL
灵敏度	内置麦克风: $-39\text{dB} \pm 2\text{dB}$ (0dB=1V/Pa@1kHz)
降噪功能	是
供电方式	内置锂电池 / USB-C DC直流电5V
天线	PIFA天线
续航时间	约6小时
重量	18g
尺寸	40.2×39.4×18.6mm
工作温度	0°C~50°C
贮存温度	-20°C~55°C

## BY-M1V-RX

传输方式	2.4GHz ISM
信号调制	高斯频移键控
操作距离	>60米（无障碍）
射频输出功率	<10mW
音频输出接口	3.5 mm耳机插孔
	3.5 mm TRS线性输出孔
供电方式	内置锂电池/ USB-C DC直流电5V
天线	PIFA天线
续航时间	约6小时
重量	约18g
尺寸	40.2×39.8×18.6mm
工作温度	0°C~50°C
贮存温度	-20°C~55°C

## BY-M1V-RXD

传输方式	2.4GHz ISM
信号调制	高斯频移键控
操作范围	> 60米（无障碍）
音频输出接口	MFi认证Lightning接口
供电方式	iOS 设备供电
天线	PIFA天线
重量	10g
尺寸	23.5×38×11.9mm
工作温度	0°C~50°C
贮存温度	-20°C~55°C

## BY-M1V-RXU

传输方式	2.4GHz ISM
信号调制	高斯频移键控
操作范围	> 60米（无障碍）
音频输出接口	USB-C接口
供电方式	USB-C设备供电
天线	PIFA天线
重量	10g
尺寸	23.5×38×11.9mm
工作温度	0°C~50°C
贮存温度	-20°C~55°C

## 包装清单

### BY-M1V1

- 1× BY-M1V-TX发射器
- 1× BY-M1V-RX接收器
- 1× 3.5mm TRS转TRS相机输出线
- 1× 3.5mm TRS转TRRS手机输出线
- 2× USB-C充电线
- 1× 防风毛套

### BY-M1V2

- 2× BY-M1V-TX发射器
- 1× BY-M1V-RX接收器
- 1× 3.5mm TRS转TRS相机输出线
- 1× 3.5mm TRS转TRRS手机输出线
- 3× USB-C充电线
- 2× 防风毛套

### BY-M1V3

- 1× BY-M1V-TX发射器
- 1× BY-M1V-RXU接收器
- 1× USB-C充电线
- 1× 防风毛套
- 1× 对码顶针

#### **BY-M1V4**

- 2 × BY-M1V-TX发射器
- 1 × BY-M1V-RXU接收器
- 2 × USB-C充电线
- 2 × 防风毛套
- 1 × 对码顶针

#### **BY-M1V5**

- 1 × BY-M1V-TX发射器
- 1 × BY-M1V-RXD接收器
- 1 × USB-C充电线
- 1 × 防风毛套
- 1 × 对码顶针

#### **BY-M1V6**

- 2 × BY-M1V-TX发射器
- 1 × BY-M1V-RXD接收器
- 2 × USB-C充电线
- 2 × 防风毛套
- 1 × 对码顶针

**SHENZHEN JIAYZ PHOTO INDUSTRIAL., LTD.**

The BOYA logo is a trademark which is registered and owned by Shenzhen Jiayz Photo Industrial, Ltd.

深圳市长丰影像器材有限公司

地址:广东省深圳市龙华区观澜街道大富社区硅谷动力智能终端产业园A16栋

TEL: 400 6131096

Email: sales@boya-mic.com

www.boya-mic.com / www.jiayz.com