



BY-BM3030

On-Camera Shotgun Microphone
机顶枪型超心型麦克风

Instruction Manual
说明书



Thanks for choosing BOYA!

The BOYA BY-BM3030 is a Super-cardioid condenser shotgun microphone, 3.5 mm mini plug connector making it compatible with DSLRs, camcorders, audio recorders that equipped with 3.5mm mic input. It features an integrated shock mount that can be mounted on a camera or boom pole, and is ideal for interviews, ENG and more.

The high-quality and uni-directional condenser capsule will decrease ambient noise while recording sound with greater clarity.

This mic includes a foam windscreen and fur windscreen that helps to decrease vocal plosives and wind noise when recording dialog and powered by two pieces of AA batteries (not included) for up to 150 hours.

PACKAGE CONTENTS

- Microphone
- Foam windscreen
- Fur windscreen
- Carrying pouch
- Quick Setup Guide

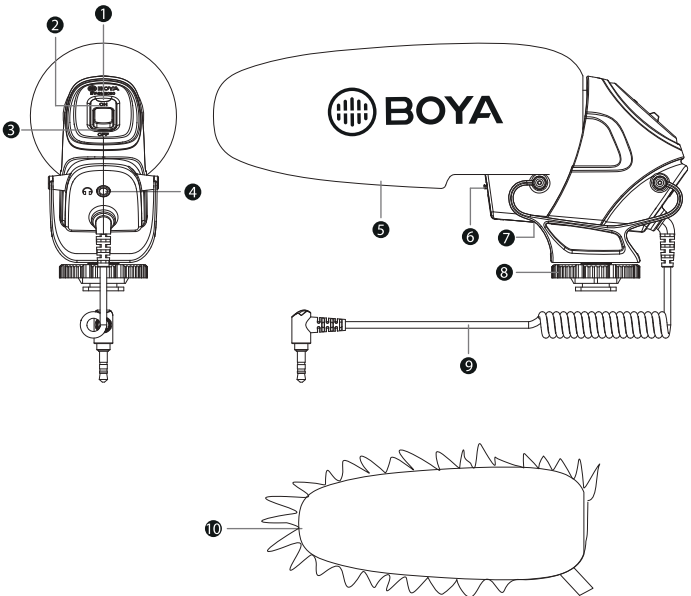
INSTRUCTURE

1. Power Indicator
2. Power ON
3. Power OFF
4. 3.5mm headphone Jack
5. Foam windscreen
6. Battery Compartment
7. Shock Mount
8. Camera Shoe Mount with 1/4" Thread
9. 3.5mm TRS Audio cable

Note: Cable in illustrations is shown shorter for clarity.

The actual cable is longer than the one pictured.

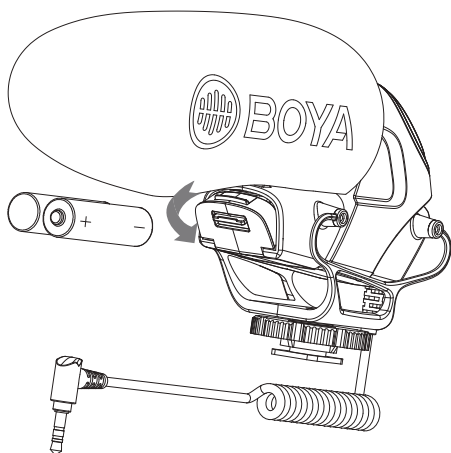
10. Fur windscreen



HOW TO USE

Installing the battery

1. Press the bottom of battery compartment lid down and lift it up.
2. Insert the AA battery. Make sure that the + and - signs match the symbols in the compartment.
3. Replace the battery compartment lid.



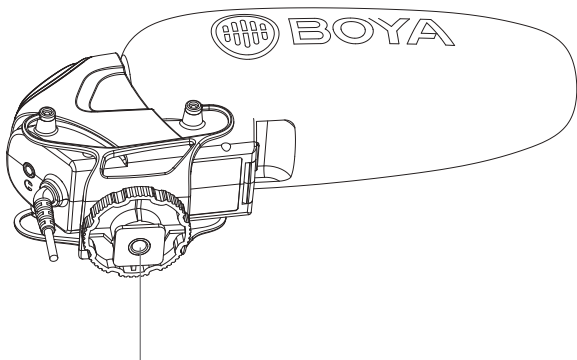
SETTING UP YOUR MICROPHONE

To attach your microphone to a camera:

1. Loosen the locking knob, then slide your microphone's shoe mount onto your camera.
2. Tighten the locking knob to secure your microphone.
3. Connect the 3.5 mm audio cable to your camera.

To attach your microphone to a tripod:

1. Tighten the microphone to the 1/4" screw on a tripod or tripod plate. See the instructions that came with your tripod for more information.
2. Connect the 3.5 mm audio cable to your camera.



1/4" mounting threads

USING YOUR MICROPHONE

- 1 Turn on your camera.
2. Slide the power switch to ON, the LED indicator lights up.
3. Aim the microphone at the sound source and away from unwanted sound sources (only if used on a tripod).

Tip: If using a tripod, the microphone could be held below or above as well as straight in-front of the sound source.

4. Slide the power switch to OFF when you finished recording.

TROUBLESHOOTING

Problem	Solution
No sound was recorded	Make sure that two fresh AA batteries are installed and correctly oriented in the battery compartment. Make sure the power switch on the microphone is set to the ON position and the LED indicator is on. Make sure that 3.5mm mini plug is connected to the correct AUDIO INPUT jack on the device to which you are recording.
The sound is distorted	Make sure the 3.5mm mini plug is fully plugged into the audio input jack of your camera or recorder. If your camera or device has an input control, decrease the mic gain (audio input level) on your camera until the meter reads slightly below peak level at the lowest point of the audio. Reposition the BY-BM3030 further away from the sound source.
The recording level is too low	If your camera or device has an input control, increase the mic gain (audio input level) on your camera until the meter reads slightly below peak level at the loudest point of the audio. Reposition the BY-BM3030 closer to the sound source.
Sound is distorted	Make sure the microphone boost is switched off, move away from the subject, consult camera owner's manual for audio recording settings.
The microphone is stuck in the camera's shoe mount	Make sure the locking wheel is fully loosened.

MAINTAINING YOUR MICROPHONE

- Keep your microphone away from dust, moisture, or water.
- To clean the housing, wipe with a dry micro-fiber cloth to remove dust.
- Store your microphone in the included pouch to protect it from dirt and dust.

IMPORTANT SAFETY INFORMATION

- Make sure that you follow all safety notes.
- Keep these instructions for use in a safe place. If you sell the equipment or pass it on to someone else, you should also pass on these instructions for use.

Marking on the devices



Waste disposal and protection of the environment

Electric and electronic appliances, as well as batteries, must not be disposed of together with domestic waste. The user is legally obliged to return electric and electronic appliances as well as batteries to specially set up public collecting points or the sales outlet once they have reached the end of their service life. Details are regulated by national law. The symbol on the product, the instructions for use, or the packaging refers to these provisions. The recycling of waste equipment/batteries is an important contribution to the protection of our environment.



FEATURES:

- Studio-quality condenser microphone
- Super-cardioid polar pick up pattern
- Integrated Shock Mount
- Lightweight and easy to use.
- 1/4"-20 Socket For Use with Boom Pole
- 3.5mm Mini Plug Output Connector
- Foam Windscreen Included
- Simulated Fur Wind Cover Included
- Carry Pouch Included

SPECIFICATION :

Acoustic Principle:	Line Gradient
Directional Pattern:	Super-Cardioid
Frequency Response:	40-20,000Hz
Sensitivity:	-38dB±3dB@1KHz
Signal to Noise Ratio:	78dB
Output Impedance:	200Ω
Power Supply:	2 x AA batteries
Operating time with battery:	150H
Size:	209.7 x 103.3 x 50mm (8.2" x 4" x 2")
Weight:	132g (4.7 oz)

感谢您选择BOYA!

BOYA BY-BM3030是一款超心型电容式枪型麦克风，3.5毫米迷你插头连接器，适用于数码单反相机，摄像机等配备3.5毫米麦克风输入的录音机。它具有一体式减震架，可以安装在相机热靴上，非常适合采访拍摄、运动拍摄等。

超心型电容指向型可降低环境噪音，同时更清晰地录制声音。

这款麦克风包括一个防风棉和防风毛，有助于减少录制对话时的声音爆破声和风噪声，并由两节AA电池（不包括在内）供电长达150小时。

产品清单

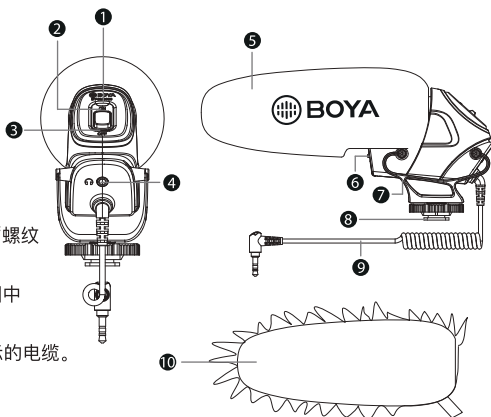
- 麦克风
- 防风棉
- 防风毛
- 收纳袋
- 说明书

产品介绍

1. 电源指示灯
2. 打开电源
3. 关闭电源
4. 3.5mm耳机插孔
5. 防风棉
6. 电池盒
7. 减震架
8. 相机冷靴座，带1/4“螺纹
9. 3.5mm TRS音频线

注意:为清晰起见，插图中
的电缆显示较短。
实际电缆长于图示的电缆。

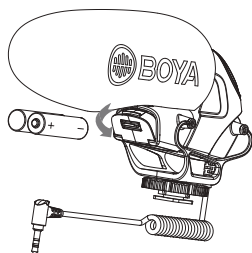
10. 防风毛



如何使用

安装电池

1. 向下按电池盒盖的底部，然后将其提起。
2. 插入AA电池。
确保+和-符号与隔室中的符号匹配。
3. 关闭电池盒盖。



安装你的麦克风

将麦克风连接到相机：

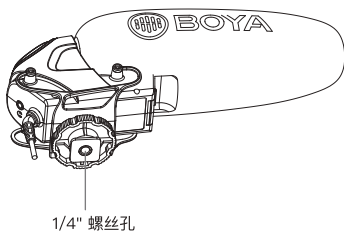
1. 松开锁定旋钮，然后将麦克风的热靴座滑动到相机上。
2. 拧紧锁定旋钮以固定麦克风。
3. 将3.5毫米音频线连接到相机MIC插口。

将麦克风连接到三脚架：

1. 将麦克风拧紧到三脚架或三脚架板上的1/4“螺丝。

有关详细信息，请参阅三脚架随附的说明。

2. 将3.5毫米音频线连接到相机MIC插口。



用你的麦克风

1. 打开你的照相机。
2. 将电源开关滑动到ON，LED指示灯亮起。
3. 将麦克风对准声源并远离不需要的声源（仅在三脚架上使用时）

提示：如果使用三脚架，麦克风可以保持在声源的正下方或上方以及直线前方。

故障排除

问题	解决方案
没有录音	确保安装了两节新的AA电池并正确定位在电池盒中。 确保麦克风上的电源开关设置为ON位置且LED指示灯亮。 确保将3.5毫米迷你插头连接到要录制的设备上正确的MIC音频插孔。
麦克风停止工作	确保3.5毫米迷你插头完全插入相机或录像机的音频输入插孔。
声音太安静了	如果您的相机或设备有输入控制，请增加相机的麦克风增益（音频输入电平），直到仪表读数略低于音频最响亮点的峰值。 将BY-BM3030重新放置在靠近声源的位置。
声音失真	确保麦克风增强功能已关闭，远离拍摄对象，请参阅相机用户手册以了解录音设置。
麦克风卡在相机的热靴座中	确保锁定轮完全松开。

麦克风注意事项

- 使麦克风远离灰尘，潮湿或水。
- 将麦克风存放在附带的小袋中，以防止灰尘进入。

重要安全信息

- 确保遵循所有安全注意事项
- 将这些说明保存在安全的地方。
如果您出售设备或将其传递给其他人，您也应该传递这些使用说明。

在设备上标记



废物处理和环境保护



电气和电子设备以及电池不得与生活垃圾一起处理。用户在法律上有义务将电



气和电子设备以及电池返回到专门设置的公共收集点或销售点，一旦它们达到其使用寿命。

受国家法律管辖。产品上的符号，使用说明或包装是指这些规定。废物设备/电池的回收是对保护环境的重要贡献。

- 请勿用湿手操作设备。
- 仅按照维护麦克风中所述的方式清洁设备
- 注意避免掉落设备。确保设备已正确固定并可靠安装。如果设备已掉落，请在熟练技术人员再次打开之前对其进行检查。
- 如果设备损坏或有缺陷，或者您发现有灼热的气味，请立即取出电池。
请勿在外壳损坏的情况下操作设备，也不要自行维修设备。只有熟练的维修人员才能修理设备

特征

- 广电品质的电容式麦克风
- 超心型拾音模式
- 一体式减震架
- 重量轻，易于使用。
- 1/4“螺丝孔
- 3.5毫米迷你插头输出连接线
- 防风棉
- 防风毛
- 收纳袋

参数

指向:	超级心形
频率:	40-20,000Hz
灵敏度:	-38dB±3dB@1KHz
信噪比:	78dB
输出阻抗:	200m
电源:	2节AA电池
电池工作时间:	150小时
尺寸:	209.7 x 103.3 x 50mm
重量:	132g (4.7 oz)

www.boya-mic.com

SHENZHEN JIAYZ PHOTO INDUSTRIAL., LTD.

The BOYA logo is a trademark which is registered and owned by Shenzhen Jiayz Photo Industrial., Ltd.

深圳市长丰影像器材有限公司

地址:深圳市观澜街道章阁大富路智能终端产业园A16栋

TEL: 400 6131096

Email: sales@boya-mic.com

www.boya-mic.com / www.jiayz.com