



**BOYA**

**Wireless Condenser  
USB Microphone**

无线USB电容麦克风

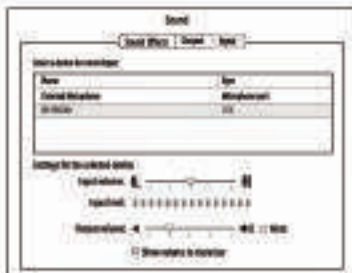
**BY-PM740**

User Manual  
用户手册

## Procedure Setup

### Set up for Mac:

1. Connect the BY-PW740 to your computer.
2. Open System Preferences and select the Sound icon.
3. Select "BY-PW740" under the "Input" tab.



4. Select "BY-PW740" under the "Output" tab.



## Set up for Windows

1. Connect the BY-PM740 to your computer.
2. Go to the Control Panel—Hardware and Sound—Manage audio devices.
3. Select “BY-PM740” as the default device under the “Playback” tab.
4. Select “BY-PM740” as the default device under the “Recording” tab.



## Troubleshooting

If you encounter problems when using the unit, please refer to the following checklist before contacting technical support. If the problem cannot be solved, please contact the dealer's after-sales service department.

- **No sound**
  - ① Make sure the unit is well connected to your device properly.
  - ② Make sure the gain and volume are not turned to a minimum.
  - ③ Make sure the unit is not muted.
  - ④ Make sure the volume bar on your computer is not muted or turned to a minimum.
  - ⑤ Make sure there is no problem with your audio or video app on your computer. If it's still not working, please contact our customer service.
  
- **Sound is too low or too loud or even distorted**
  - ① Adjusting the mic gain, output volume, and polar pattern to find the most suitable gain level or mode for recording in the current situation to improve the recording effect.
  - ② If you are recording in a noisy environment, it is recommended to enable noise cancellation to improve the recording effect.
  
- **Current noise or other abnormal noise appears during monitoring**

Make sure there is no interference near the unit. If the noise still exists after changing the unit's position, please contact our customer service.
  
- **The operating range is limited and the sound is frequently intermittent**

Make sure there is no interference between the microphone and receiver. If the intermittent sound still occurs frequently, please contact our customer service.

## Specifications

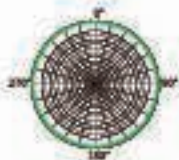
Frequency Bands	2.4GHz
Modulation	GFSK
Signal-to-Noise Ratio	> 76dB
Antenna	PIFA
Sensitivity	-36dB±3dB (3dB=1W/Pa, at 1kHz)
RF Output Power	< 10dBm
Frequency Response	20Hz-20kHz
Maximum SPL	115dB SPL
Wireless Transmission Range	30m (Measured in open environment without obstacles and interference.)
Audio Input	14mm condenser capsule (x3)
Polar Patterns	Stereo, Omnidirectional, Cardioid, Bidirectional
Sampling Rates/ Bit Depth	Wired: 48kHz/24bit (Default), 480Hz/16bit Wireless: 48kHz/16bit
Microphone Gain Control	0-42dB
Audio Output	Wired: USB Type-C digital output (Mic) Wireless: USB Type-A output (Receiver)
Monitor Port	3.5mm headphone port
Power Requirements	Powered by built-in lithium-ion battery or USB Type-C port
Battery Capacity	1100mAh
Battery Life	Approx. 6 hours
Charging Time	Approx. 2 hours
Dimensions	Microphone: ø110mmx290mm (Mic: ø110mmx222.8mm) Receiver: 31mmxø16.2mmx7.5mm
Weight	Microphone: 867g Receiver: 5g
Operating Temperature	-10°C to 55°C
Storage Temperature	-20°C to 50°C

## Polar Pattern

Stereo



Omnidirectional



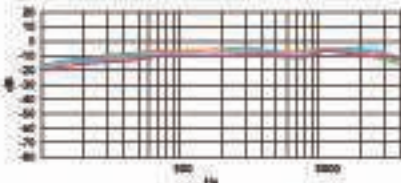
Cardioid



Bidirectional



Frequency Response (0dB=1V/Pa)



## In the Box

BY-PM740 Microphone with Wireless Receiver x1

USB-A to USB-C Cable x1

USB-A (3.0) to USB-C Adapter x1

3/8" to 1/4" Screw Adapter x1

## 声明

感谢您选择BOYA!

请您使用前仔细阅读本产品手册，并严格按照图示进行操作和存储。请妥善保存好说明书以供将来参考。如果用户手册不能帮助您解决某些问题，请向零售商寻求帮助或给我们发送电子邮件：[sales@boya-mic.com](mailto:sales@boya-mic.com)

## 注意事项

1. 不要在水下使用本机，不要将其暴露在雨中。请存放在阴凉干燥处。
2. 请在常温下使用并保存。不要频繁地将其从过热状态移至过冷状态，并远离热源，如加热器、烤箱或其他产生热量的设备。
3. 在使用和储存时，请注意防尘和防潮。
4. 小心避免强烈的碰撞。
5. 为避免声音反馈，请勿将麦克风靠近扬声器。
6. 为获得最佳拾音模式，请勿将手放在麦克风上。

## 概述

博雅BY-PM740是一款专业级桌面USB麦克风，适合游戏直播、播客录制、视频创作、网课、录音等多种使用场景。可通过附带的小型USB-A接收器进行2.4GHz无线连接，也可以通过USB-C数据线连接平板、电脑、手机等设备使用。本机内置3.5mm耳机孔，支持连接耳机进行实时/回放监听。

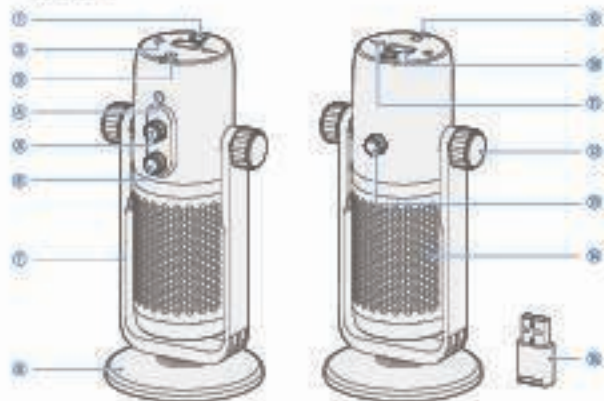
产品内置心形/双向型/全向型/立体声四种拾音模式，让您可以根据不同的录制场景自由切换，清晰地捕捉麦克风前方、前后方、全方位或两侧的声音；具备可设置的降噪功能，从容应对嘈杂的录音环境；配置独立的耳机音量与麦克风增益控制旋钮，一键静音，让您可以根据录音实况进行实时调节。此外，BY-PM740还支持拆卸部件，配置3/8英寸螺线孔可搭配您的悬臂支架和三脚架使用，让您的场景更加多变。

## 特点

- 搭载20~20000Hz超宽频响，音质效果细腻柔和
- 无线操作范围可达30米（无障碍）
- 麦克风角度可灵活调节
- 有线模式、无线模式随意选择
- 全向型/心形/双向型/立体声四种拾音模式自由切换
- 一键开启降噪模式，屏蔽主体声音，消除背景噪音
- 机身上可独立控制耳机音量与麦克风增益
- 无需安装驱动，即插即用
- 内置可充电锂电池——续航长达6小时
- 集成式耐用麦克风底座支架，底座设计有防滑胶垫，安心放置不滑动



## 产品结构



- ① 3/8英寸喇叭孔
- ② 3.5mm耳机监听孔  
插入耳机可监听音轨。
- ③ 电源键  
在无场使用模式下，长按按键3秒可开/关机。
- ④ 降噪键（降噪指示）  
短按按键可开启/关闭降噪功能，降噪功能开启时绿灯常亮。
- ⑤ 音量调节旋钮（静音键）  
转动旋钮可调节耳机监听音量，按下旋钮可将麦克风静音/取消静音。
- ⑥ 增益调节旋钮  
转动旋钮可调节麦克风输入增益。
- ⑦ 麦克风桌面支架
- ⑧ 支架底座

## ④ 电量指示灯

电量	指示灯
<10% (低电量提示)	
10-25%	
26-50%	
51-75%	
76-100%	

注意：麦克风处于低电量时请及时充电，否则发射器将在10分钟内自动关机。

充电电量	指示灯
0<25%	
26<50%	
51<75%	
76<90%	
100% (满电)	

## ⑤ 接收器收纳槽

### ① USB-C输出接口

用于输出音频至智能手机、平板电脑等设备，也可用于充电。

### ② 降噪按钮

### ③ 拾音模式切换键

转动按钮可切换立体声、全向型、心形、双向型这四种拾音模式。

拾音模式	说明
立体声	拾取麦克风两侧的声音。适用于捕捉宽广、丰富多彩的声音。
全指向型	均匀地拾取麦克风周围的声音。非常适合电话会议或多人播客录制。
心形	拾取麦克风正前方的声音。非常适合播客、直播和其他人声录制。
双向型	拾取麦克风前后方的声音。非常适合两人面对面采访、录制的使用场景。

### ④ 麦克风球头（状态指示）

状态	指示灯
对码中	蓝灯快闪
联机成功	蓝灯常亮
静音状态	蓝灯熄灭

### ⑤ 接收器

## 操作指南

### 有线操作

使用附赠的数据线将麦克风接入电脑、手机、平板等移动设备，麦克风状态指示灯呈蓝灯常亮。

### ①



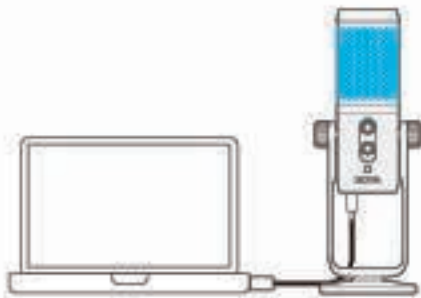
## Statement

Thanks for choosing BOYA!

Please read this manual carefully before using and strictly operate and store it in accordance with the instructions. Please save the manual for your future reference. If you need further assistance than the user manual, please consult your retailer for help or email us: [sales@boya-mic.com](mailto:sales@boya-mic.com)

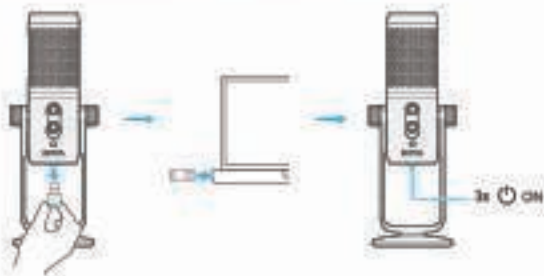
## Cautions

1. Do not use the unit under moisture conditions or water, don't expose it to rain. Please store it in a cool, dry place.
2. Please use and store it at normal temperature. Do not move it from overheated to super-cooled condition frequently as well as keep away from heat sources such as heater or oven.
3. When using and storing, please keep away from dust and moisture.
4. Be careful with violent collisions.
5. To avoid acoustical feedback, do not hold the microphone close to the loudspeakers.
6. For the best pick-up pattern, do not hold your hand against the microphone cover.



### 无线操作

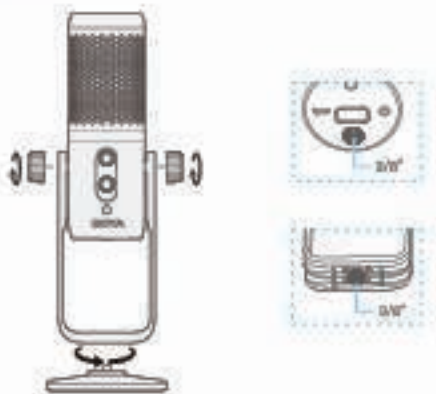
- ① 按压麦克风底部的接收器，将接收器从插槽中取出，插入电脑的USB-A接口；
- ② 长按麦克风电源键3秒将其开机；
- ③ 麦克风与接收器将自动完成配对，麦克风状态指示灯呈蓝灯常亮。



#### 注意：

1. 如超过五分钟未连接成功，麦克风将自动关机。
2. 由于在2.4GHz频段下，信号很容易受干扰，请尽量避开墙壁和障碍物等障碍物，避免接近2.4GHz频率的设备，如大功率Wi-Fi天线、收音机等。
1. 同时有线连接和无线连接时，有线传输优先于无线传输。

#### 如何组装与拆卸



## 使用场景



直接放置在桌面上使用。



将麦克风支架底部的3/8英寸螺紋孔连接到您的悬臂支架或桌面支架使用。



将麦克风主体底部的3/8英寸螺纹孔连接到三脚架使用。

#### 如何调整角度



将锁紧按钮松开，调整麦克风所需角度，然后拧紧按钮。



## 操作指南

### Mac系统程序设置

1. 将BY-PM740成功连接至电脑；
2. 打开“系统偏好设置”，然后选择“声音”图标；
3. 选择“BY-PM740”为输入设备；



4. 选择“BY-PM740”为输出设备。



## Windows系统程序设置

1. 将BY-PM740成功连接至电脑；
2. 进入“控制面板”→“硬件和声音”→“管理音频设备”；
3. 在“播放”选项卡下选择“BY-PM740”为默认设备；
4. 在“录制”选项卡下选择“BY-PM740”为默认设备。



## 故障排除

在使用本机的过程中出现任何问题，请参考以下内容加以解决。如果此手册仍然无法解决您遇到的问题，请与我们联系当地的经销商或售后服务部联系。

### • 本机无声音

- ① 检查本机是否连接正常以及线缆连接面有松动。
- ② 检查增益、音量旋钮是否被调至了最小。
- ③ 检查麦克风是否开启了静音模式。
- ④ 检查电脑端的录制、播放音量条是否被调至了最小或静音。
- ⑤ 验证您电脑端的视频/音频录制应用程序是否有问题；若更换录制应用程序后仍然无声音，请联系客服咨询。

### • 本机声音过小或过大甚至破音

- ① 通过调节增益/音量/拾音模式，找到最适宜当前环境录制的档位/模式，提高录制效果。
- ② 若录音环境较为嘈杂，可开麦克风的降噪模式，提高录制效果。

### • 监听时有不干净的电流声或异常噪音等

请检查本机附近是否有干扰源；若本机更换使用位置后还是有噪音，请联系客服咨询。

### • 使用距离麦克风且声音频繁断续

查看麦克风、接收器之间是否有干扰源，将产品更换使用位置再次确认。若声音还是频繁断续，请联系客服咨询。

## 参数

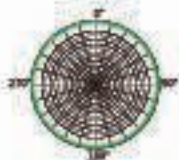
频段范围	2.4GHz
调制方式	QPSK
信噪比	> 76dB
天线	PFA天线
麦克风灵敏度	-36dB±3dB (0dB=1V/ Pa, at 1kHz)
射频输出功率	< 10dBm
频率响应	20Hz-20kHz
最大声压级	115dB SPL
无线传输距离	30米 (在无障碍无干扰空旷环境测得)
音频输入	14mm电容咪头 (x3)
拾音模式	立体声/ 全向型/ 心形/ 双向型
采样率/位深	有线模式: 48kHz/24bit (默认), 48kHz/16bit 无线模式: 48kHz/16bit
麦克风增益控制	0-42dB
音频输出接口	有线模式: 麦克风USB Type-C数字输出 无线模式: 接收器USB Type-A输出
监听接口	3.5mm耳机监听孔
供电方式	内置锂电池供电/ USB Type-C数据接口
电池容量	1100mAh
续航时长	约6小时
充电时长	约2小时
尺寸 (带支架)	麦克风: $\phi 110\text{mm} \times 290\text{mm}$ (最小: $\phi 110\text{mm} \times 222.8\text{mm}$ ) 接收器: $31\text{mm} \times 16.2\text{mm} \times 7.5\text{mm}$
重量	麦克风: 867g 接收器: 5g
工作温度	-10°C - 55°C
贮存温度	-20°C - 50°C

## 极性模式

立体声



全向型



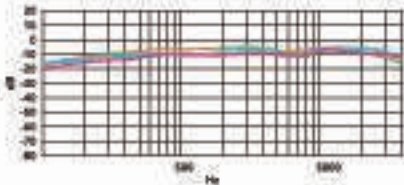
心形



双向型



频率响应 (0dB=1V/Pa)



## 包装清单

- BY-PM740麦克风+无线接收器 × 1
- USB-A转USB-C数据线 × 1
- USB-A (3.0)转USB-C转接头 × 1
- 3/8" 转 1/4" 编组 × 1

**SHENZHEN JIAYZ PHOTO INDUSTRIAL, LTD.**

The BOYA logo is a trademark which is registered and owned by Shenzhen Jiayz Photo Industrial, Ltd.

深圳市长中影像器材有限公司

地址:广东省深圳市龙华区观澜街道大富社区硅谷动力智能终端产业园A36栋

TEL: 400 6131096

Email: sales@boya-mic.com

www.boya-mic.com / www.jiayz.com

## Introduction

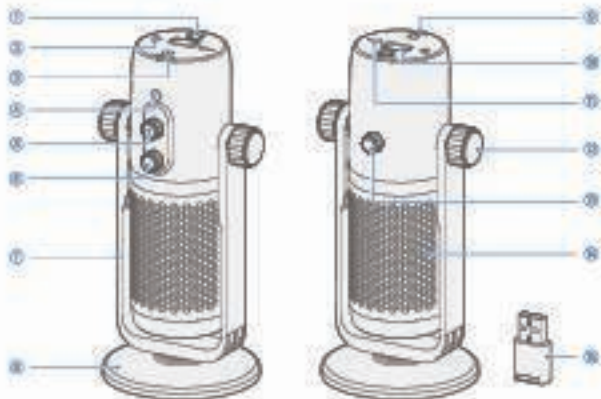
The BY-PM740 is a professional-grade USB microphone. It is specially designed for applications like gaming, streaming, podcasting, vlogging, studio recording and more. The microphone can be connected in 2.4GHz wireless with the included USB-A receiver or connected to a tablet, computer, or smartphone using a USB-C data cable. A 3.5mm headphone port allows to monitor your audio in real-time.

With four unique patterns—cardioid, bidirectional, omnidirectional, and stereo, it can clearly capture your sound in front, behind, all around or on both sides of the microphone. The BY-PM740 features a selectable noise cancellation to eliminate background noise, a dedicated headphone volume control for monitoring and a mic gain control for recording. The integrated tabletop stand can be removed to mount the BY-PM740 on any 3/8" or 1/4" threaded microphone stand or boom arm.

## Features

- Wide-range 20-20,000Hz frequency response- deliver exceptional high-quality sound
- Up-to-30m wireless operating range without obstacles
- The angle of the mic can be adjusted flexibly
- Wired or wireless connection for use
- 4-selectable polar patterns: Omnidirectional, Cardioid, Bi-Directional (Figure-8) and Stereo
- Featuring noise cancellation to focus on the subject's voice and eliminating background noise
- Dedicated headphone volume control and mic gain control
- Plug-and-record with no drivers are needed
- Up to 6-hrs of recording with the built-in rechargeable lithium-ion battery
- Solid and stable integrated desktop stand with an anti-slip rubber pad

## Product Structure



① 3/8" Thread Mount

② 3.5mm Headphone Jack

Connect your headphones for audio monitoring.

③ Power Button

Press and hold for 3 seconds to power the microphone on or off when it is used in wireless connection.

④ Mute Button (Indicator)

Press to enable or disable the noise cancellation. When the noise cancellation is enabled, the LED indicator will glow green.

⑤ Volume Control Knob (Mute Button)

Turn the knob to adjust the headphone volume. Press the button to mute or unmute the microphone.

⑥ Gain Control Knob

Turn the knob to adjust the microphone gain.

⑦ Desktop Stand

⑧ Base of Stand



## ④ Battery Level Indicator

Battery Level	Indicator
< 10% (Low battery)	
10–25%	
26–50%	
51–75%	
76–100%	

**Notice:** Please charge the microphone when it indicates low battery status, or it will automatically shut off within 10 minutes.

Battery Level during Charging	Indicator
0 to 25%	
26 to 50%	
51 to 75%	
76 to 99%	
100% (Fully charged)	

## ⑤ Slot for Receiver

### ① USB-C Output

For audio output after connecting a computer, tablet, smartphone, etc. Can also be used for charging.

### ② Set Screws

### ③ Multi-Pattern Control

Turn the knob to select the perfect pick-up pattern.

Polar Patterns	Description
Stereo	Uses bi-channel to capture a wide, colorful sound.
Omnidirectional	Uniformly picks up sound from all around the microphone. Great for a conference call or multi-person podcast.
Cardioid	Records sound that is directly in front of the microphone. Perfect for podcasts, live-streaming, and other vocals.
Bi-directional	Captures sound from the front and rear of the microphone. Ideal for a two-person interview.

### ④ Microphone Capsule (Status Indicator)

Status	Indicator
Pairing	Blinking blue quickly
Paired successfully	Static blue
Microphone muted	Blue light off

### ⑤ Receiver

## How to Use

### Wired Connection

Connect the microphone with your computer, tablet or smartphone via the USB-C port. When they are correctly connected, the LED status indicator will glow static blue.

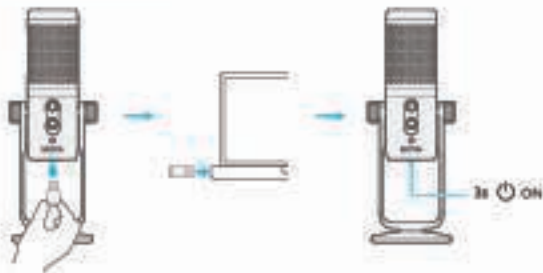


⑤



### Wireless Connection

- ① Press the receiver at the bottom of the microphone, take it out of the dot and connect it to the USB-A part of the computer.
- ② Press and hold the power button for 3 seconds to turn the microphone on.
- ③ The microphone and the receiver will be paired automatically, and the LED status indicator will glow static blue.



#### Note:

- The microphone will automatically power off after five (5) minutes if the receiver isn't paired with the microphone.
- Due to 2.4GHz wireless frequency, signal can be easily attenuated. Please try to avoid obstacles, such as walls and buildings, and avoid close proximity to devices with 2.4GHz signal, such as high-power Wi-Fi antennas, radios, etc.
- When the microphone is connected to two devices through a USB-C cable and the USB-A receiver at the same time, sound can only be output to one device. Audio output is prioritized as follows: wired connection > wireless connection.

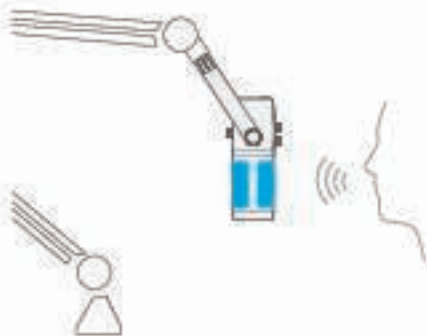
#### Disassembling



## Examples



The BY-PM740 can be used on your desktop.



Remove the base to mount the BY-PM740 on any 3/8" or 1/4" threaded microphone stand, boom arm.



Remove the integrated table-top stand to mount the microphone on any 3/8" or 1/4" threaded microphone stand, boom arm, or tripod.

### Adjusting Angle



Loosen the set screws to adjust the microphone at an ideal angle, then tighten it.