



Dynamic Broadcasting Microphone

广播级动圈麦克风

BY-DM500

User Manual
用户手册



General Introduction

Thanks for choosing BOYA!

BOYA BY-DM500 is a cardioid dynamic microphone, providing broadcast-quality sound, primarily designed for broadcasting, podcasting and studio recording. Thanks to its cardioid polar pattern, the BY-DM500 clearly captures voice in front of the mic while effectively reducing unwanted background noise.

With a wide-range frequency response, it provides a rich, balanced sound. Equipped with a foam windscreen, the BY-DM500 is a perfect choice for close-range recording applications. All-metal body guarantees the solid construction.

In addition, the microphone features an adjustable mounting bracket, which allows it to attach to any industry-standard microphone stand and boom arm.

Cautions

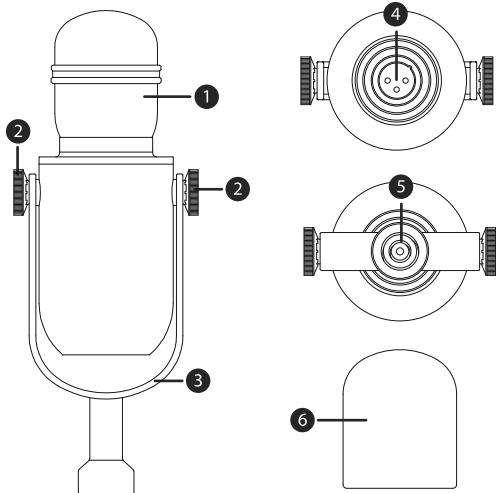


1. Do not use the unit under water, don't expose it to rain. Please store it in a cool, dry place.
2. Please use and store it in normal temperature. Do not move it from overheated to super-cooled condition frequently as well as keep away from heat sources such as heater, oven, or other devices that produce heat.
3. When using and storing, please pay attention to dust and moisture.
4. Be careful to violent collision.

Packing List

- BY-DM500 Microphone
- Foam Windscreen
- User Manual
- Warranty Card

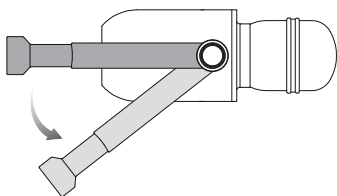
Product Structure



1. Microphone Capsule
2. Locking Knobs
3. Mounting Bracket
4. Three-pin XLR Connector
5. 5/8" & 3/8" Combo Threaded Hole
6. Foam Windscreen

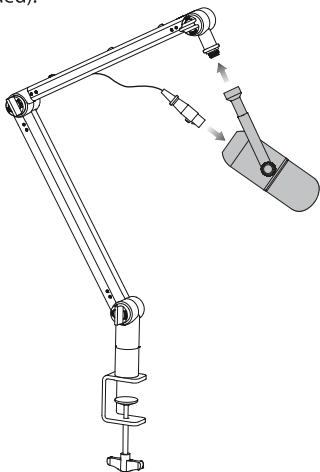
Quick Setup Guide

1. Loosen the locking knobs, adjust the microphone at the ideal angle, then tighten the knobs.



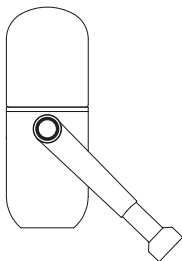
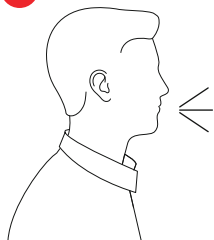
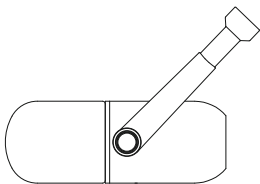
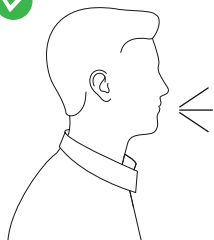
2. Attach the microphone to a microphone stand or a boom arm (not included) through the threaded hole at the bottom.

3. Connect microphone to an external unit with an XLR cable (not included).



Note: BY-DM500 is a dynamic microphone, no need for 48V phantom power.

How to Use



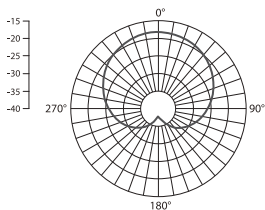
Features

- Ideal for broadcasting, podcasting and studio recording
- Deliver professional-quality sound
- Cardioid polar pattern
- Rugged all-metal construction
- No need for additional batteries or phantom power
- Great for close-range vocal and instrument recording
- Foam windscreen included

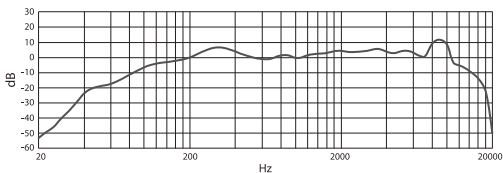
Specifications

Acoustic Principle	Dynamic
Polar Pattern	Cardioid
Frequency Response	20–20,000 Hz
Sensitivity	-57dB±3dB (0dB=1/ubar at 1kHz)
Output Impedance	120Ω
Audio Output Connector	Three-pin XLR Connector
Phantom Power	Not Required
Weight	616g
Dimensions	85×62×230.2mm
Operating Temperature	-20 °C to +50 °C
Storage Temperature	-5 °C to +55 °C

Polar Pattern



Frequency Response



概述

感谢您选择BOYA!

博雅BY-DM500是一款广播级动圈麦克风，音质效果饱满柔和，适用于广播主持、播客、录音棚等多个场景。

心形指向性麦克风，可以清晰地捕捉麦克风前方声音。宽范围的频率响应，搭配上防风海绵，近距离人声和乐器录音可完全胜任。

BY-DM500采用全金属机身结构，耐用长久且造型精美，产品支架上的螺纹孔可轻松安装固定在悬臂支架上使用。

注意事项

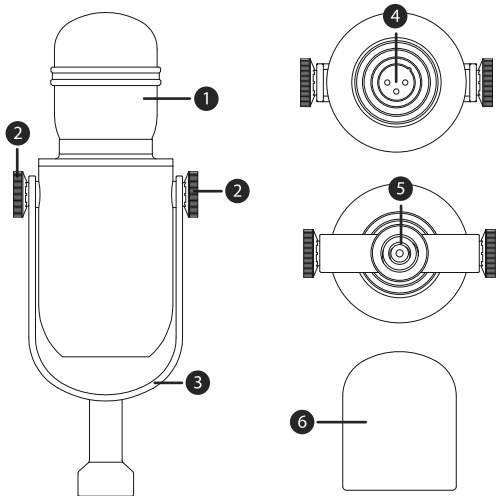


1. 不要在水下使用本机，不要将其暴露在雨中。请存放在阴凉干燥处。
2. 请在常温下使用并保存。不要频繁地将其从过热状态移至过冷状态，并远离热源，如加热器、烤箱或其他产生热量的设备。
3. 在使用和储存时，请注意防尘和防潮。
4. 小心避免猛烈的碰撞。

包装内容

- BY-DM500麦克风
- 防风海绵
- 说明书
- 保修卡

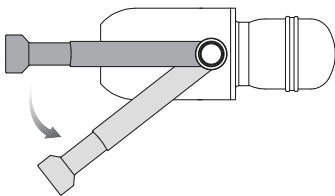
产品结构



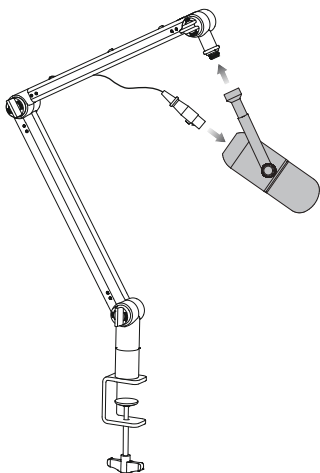
1. 麦克风拾音咪头
2. 锁紧旋钮
3. 麦克风支架
4. 三芯XLR接口
5. 5/8或3/8英寸复合螺纹孔
6. 防风海绵

快速安装指南

1. 松动锁紧旋钮，将麦克风调整到所需角度，然后拧紧旋钮。

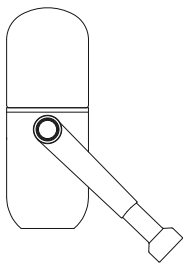
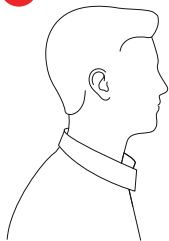
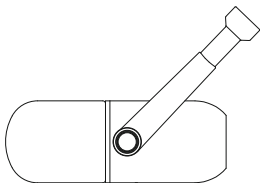
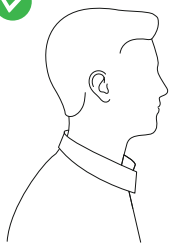


2. 通过BY-DM500支架的螺纹孔将产品固定在悬臂支架上（悬臂支架产品没有配套赠送）。
3. 使用XLR卡侬线（不含）接入外部设备。



注意：BY-DM500 是动圈麦克风，无需 48V 幻象电源供电。

使用方法



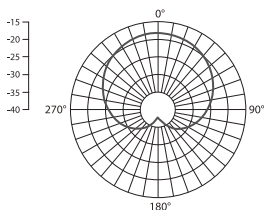
特点

- 适用于广播、播客、录音棚等场景
- 提供专业品质的声音
- 心形指向性拾音模式
- 坚固的全金属结构
- 不需要额外的电池或幻象电源
- 适用于近距离人声和乐器录音
- 配备防风海绵

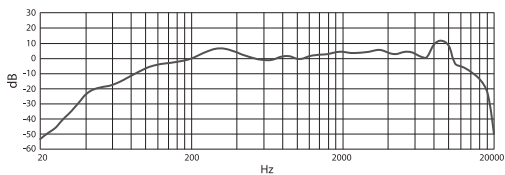
参数

声学原理	动圈麦
指向性	心形
频响范围	20-20,000 Hz
灵敏度	-57dB±3dB(0dB=1/ubar at 1kHz)
输出阻抗	120Ω
音频输出接口	三芯卡侬接口
幻象电源	不需要
重量	616g
尺寸	85×62×230.2mm
工作温度	-20 °C ~ +50 °C
贮存温度	-5 °C ~ +55 °C

极性模式



频响曲线



www.boya-mic.com

SHENZHEN JIAYZ PHOTO INDUSTRIAL., LTD.

The BOYA logo is a trademark which is registered and owned by Shenzhen Jiayz Photo Industrial., Ltd.

深圳市长丰影像器材有限公司

地址:广东省深圳市龙华区观澜街道大富社区硅谷动力智能终端产业园A16栋

TEL: 400 6131096

Email: sales@boya-mic.com

www.boya-mic.com / www.jiayz.com